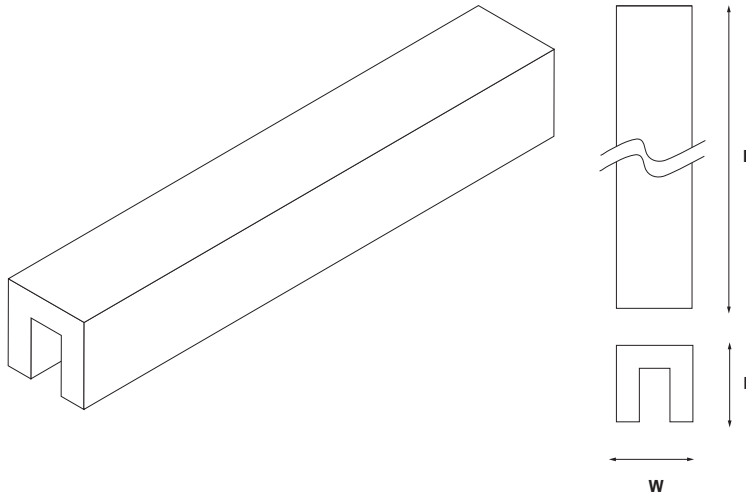


# CUSTOM PROFILES

## TECHNICAL SPECIFICATIONS

**ADROIT.**





YOUR PROJECT. YOUR WAY. BE ADROIT.



### PRIMARY APPLICATION

EcoTuff™ profiles can be extruded in custom shapes and sizes. Our design team can easily quote you on a custom design. In some designs making a custom shape can improve the design in terms of strength, cost effectiveness, functionality or ease of installation. If you have used metal, concrete, or timber in your end product you can easily substitute EcoTuff™ Custom profiles. Unlike the alternatives EcoTuff™ will not rot, rust, splinter or require maintenance. EcoTuff™ is a recycled plastic composite that is stronger than softwoods. Each kilogram of EcoTuff™ diverts 990 grams of waste from landfill. Increase your ROI, safety and project longevity by substituting an EcoTuff™ profile.

### D CHART

Profile Type (PT)	Height (mm)	Width (mm)	Maximum Section Length (mm)	Weight (Kg/m)
JA020 	75	45	6000	2.2
JA050 	110	100	6000	5.4
JA070 	200	100	6000	19.6
JA082 	200 x 120	100	6000	14

### FEATURES

- No toxic treatments to leach into the environment or end users.
- Co-mingled material means timber performance with no warping or significant expansion & contraction.
- Won't rot so can be used totally submerged where required.
- EcoTuff™ is UV stabilized to ensure a longer lasting look for your project.
- Lighter weight than steel or concrete means easier installation with less people and equipment.
- Splinter free nature and lack of sharp edges reduces exposure to liability.
- 100% recycled post consumer waste feedstock means your decision is great for the environment.
- Extruded material so can be produced in most shapes, dimensions or lengths.

### OPTIONS

- Available in a large range of standard sizes and lengths.
- We can mill profiles into bollards, posts with holes or just about any other option.

### MODELS

**Profile Type (PT)** - PT XXX – To specify the size you want refer to the D Chart to choose a Profile Type and then build your specification code as shown.

ADROIT-**JA030**-4200-SC (example)

**Section Length (SL)** – Specify your section length in mm up to the maximum section length.

ADROIT – JA030-**4200**-SC (example)

### Colour (CC)

SC - Charcoal Grey  
 HG- Heritage Green  
 IB - Blue  
 TC- Terracotta

EcoTuff™ is only available in SC.

ADROIT – JA030-4200-**SC** (example)