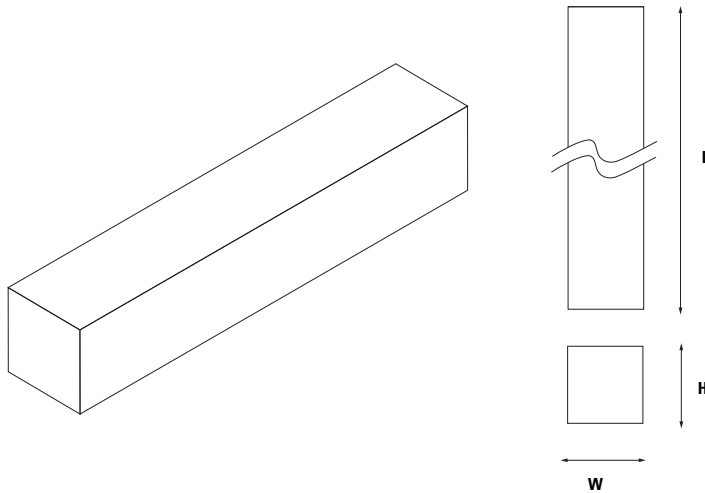


SQUARE PROFILES

TECHNICAL SPECIFICATIONS

ADROIT.






YOUR PROJECT. YOUR WAY. BE ADROIT.



PRIMARY APPLICATION

EcoTuff™ profiles are an alternative to both softwood and hardwood material. If you have used metal, concrete, or timber in your design you can easily substitute EcoTuff™ square profiles. Unlike the alternatives EcoTuff™ will not rot, rust, splinter or require maintenance. EcoTuff™ is a recycled plastic composite that is stronger than softwoods. Each kilogram of EcoTuff™ diverts 990grams of waste from landfill. Increase your ROI, safety and project longevity by substituting an EcoTuff™ profile.

D CHART

Profile Type (PT)	Height (mm)	Width (mm)	Maximum Section Length (mm)	Weight (Kg/m)
Solid Section				
SQ010 	40	40	6000	2.89
SQ015	50	50	2450	2.2
SQ020	75	75	2450	4.8
SQ025	90	90	2450	6.7
SQ030 	100	100	6000	9.6
SQ070	125	125	6000	15.9
SQ090 	150	150	6000	23.1
Hollow Section				
SQ03H 	100	100	4000	8.5
SQ09H 	150	150	4000	15

FEATURES

- No toxic treatments to leach into the environment or end users.
- Co-mingled material means timber performance with no warping or significant expansion & contraction.
- Won't rot so can be used totally submerged where required.
- EcoTuff™ is UV stabilized to ensure a longer lasting look for your project.
- Lighter weight than steel or concrete means easier installation with less people and equipment.
- Splinter free nature and lack of sharp edges reduces exposure to liability.
- 100% recycled post consumer waste feedstock means your decision is great for the environment.
- Extruded material so can be produced in most shapes, dimensions or lengths.

OPTIONS

- Available in a large range of standard sizes and lengths.
- We can mill profiles into bollards, posts with holes or just about any other option.

MODELS

Profile Type (PT) - PT XXX – To specify the size you want refer to the D Chart to choose a Profile Type and then build your specification code as shown.

ADROIT-**SQ030**-4200-SC (example)

Section Length (SL) – Specify your section length in mm up to the maximum section length.

ADROIT – SQ030-**4200**-SC (example)

Colour (CC)

SC - Charcoal Grey
 HG- Heritage Green
 IB - Blue
 TC- Terracotta

EcoTuff™ is only available in SC.

ADROIT – SQ030-4200-**SC** (example)

ADROIT.
YOUR PROJECT. YOUR WAY. BE ADROIT.

Subject to terms & conditions.
Please contact Adroit for full terms & conditions on 1300 ADROIT

HOW TO SPECIFY

ADROIT | **PT - SL - CC**
 Manufacturer | Profile Type | Sectional Length | Colour

A-T10030