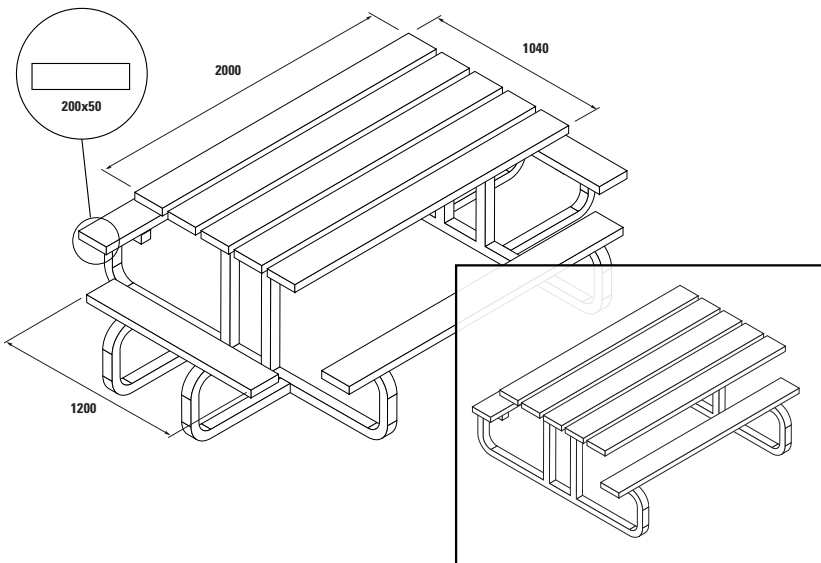


VERDUN

TECHNICAL SPECIFICATIONS



FEATURES

- Co-mingled bench and table slats will never rot, rust or have dangerous splinters greatly reducing risk of injury to end users.
- Co-mingled bench and table slat material means timber performance with no warping or significant expansion & contraction.
- High quality automated cutting and welding ensures the strongest possible frame hardened for use in high vandalism areas.
- Hot-Dipped Galv Bench Frame, the toughest of the tough, high quality dipped at 480degC so you don't have to worry about a rusting frame.
- UV stabilized bench and table slats to ensure a longer lasting look for your project.
- 100% recycled post consumer waste feedstock for table and bench slats means your decision is great for the environment.
- Easily customisable. Please contact us to discuss customising colour and size to your project
- Standard is Standard Charcoal (SC) slats and galv dipped frame but slats are available in colours and frames can be powder coated any colour.

PRIMARY APPLICATION

The functional design of the Verdun series represents best practice and best value for a picnic table setting. For schools, skate parks and places where a combination of style and strength are required consider the Verdun. As with all our park furniture the refinement that has gone into perfecting the final product has happened over many years.

Suitable in just about any public situation the Verdun's formidable robustness comes from the quality build of a simple but tested design. In either full urban grey or specified in any number of frame and slat colours the Verdun will blend with and compliment any project.

D CHART

Profile Type (PT)	# of Benches	Slat Dimensions
CBF6012	2	200x50
CBF6014	4	200x50

OPTIONS

- Available in two or four bench configuration.
- Available in a massive range of colour combinations.
- Our customisation is easy and cost effective.
- Available in spigot or base plate model.

MODELS

Profile Type (PT) - CBF 4001 – To specify the bench and table slat colour you want refer to the instructions to build your specification code as shown.
ADROIT-**CBF4001**-SC-FC (example)

Slat Colour (SC) – Specify SC for EcoTuff™ Standard Charcoal (SC). Or specify Heritage Green (HG), Blue (IB) or Terracotta (TC).
ADROIT – CBF4001-**TC**-FC (example)

Frame Colour (CC) – Nominate Galv Dipped (GD) which is standard or a PMS colour e.g 246 or a word, e.g. Red.
ADROIT – CBF4001-TC-**GD** (example)