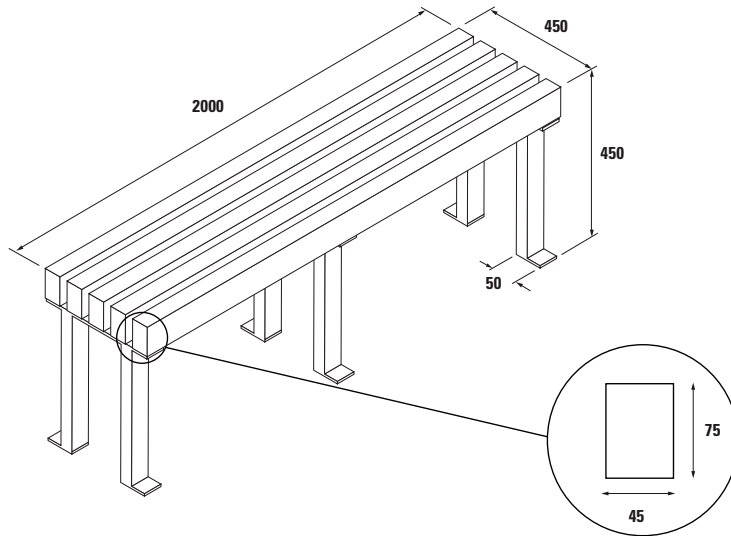


FORMAL BACKLESS BENCH

TECHNICAL SPECIFICATIONS



PRIMARY APPLICATION

The Formal backless bench by Adroit seems a simple product on the first glance. However the refinement that has gone into perfecting the perfect formal backless bench has happened over many years.

Suitable in just about any public situation the Formal's formidable robustness comes from the quality build of a simple but tested design. In either full urban grey or specified in any number of frame and slat colours the Formal will blend with and compliment any project.

FEATURES

- Co-mingled bench and table slats will never rot rust or have dangerous splinters greatly reducing risk of injury to end users.
- Timber performance with no warping or significant expansion or contraction.
- High quality automated cutting and welding ensures the strongest possible frame hardened for use in high vandalism areas.
- Hot-Dipped Galv Bench Frame - the toughest of the tough, dipped at 480degC so you don't have to worry about rust.
- 100% recycled post consumer waste.
- Easily customisable.
- Standard is Standard Charcoal (SC) slats and galv dipped frame but slats are available in colours and frames can be powder coated any colour.

OPTIONS

- Available in both surface-mount or spigot.
- Available in a massive range of colour combinations.
- Customisation is easy and cost effective.

MODELS

Profile Type (PT) - CBF 1001- To specify the bench and table slat colour you want refer to the instructions below to build your specification code as shown.

ADROIT-**CBF1001**-SC-FC (example)

Slat Colour (SC) - Specify SC for EcoTuff™ Standard Charcoal (SC). Or specify Heritage Green (HG), Blue (IB) or Terracotta (TC).

ADROIT – CBF1001-**TC**-FC (example)

Frame Colour (CC) - Nominate Galv Dipped (GD) which is standard or a PMS colour e.g 246 or a word, e.g.Red.
ADROIT – CBF1001-TC-**GD** (example)