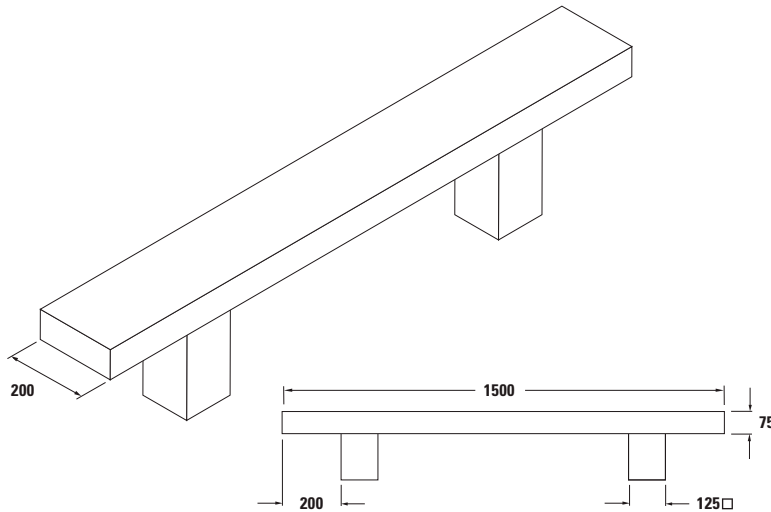


ECOSLAB

TECHNICAL SPECIFICATIONS

ADROIT.

YOUR PROJECT. YOUR WAY. BE ADROIT.



PRIMARY APPLICATION

It's official. After a cataclysmic disaster the only two things to survive on planet earth will be cockroaches and the simple EcoSlab backless bench!

Made from 100% co-mingled EcoTuff™. The EcoSlab is great for both the environment and your project. There isn't a more robust backless bench on the market that the EcoSlab. Perfect for ovals, parks, walking trails the organic design of the EcoSlab means it is safe, strong and an adroit inclusion in your project.

Suitable in just about any public situation the EcoSlab's formidable robustness comes from the quality build of a simple but tested design. In either full urban grey or specified in any number of colours the EcoSlab will blend with and compliment any project.

FEATURES

- Easy to install, the EcoSlab can be installed in under half an hour which means reduced installation costs.
- EcoSlab cant rust, rot or splinter which means no dangerous jagged edges risking public or staff safety.
- Co-mingled bench and table slat material means timber performance with no warping or significant expansion & contraction.
- UV stabilized ensures a longer lasting look for your project.
- 100% recycled post consumer waste feedstock for table and bench slats means your decision is great for the environment.
- Easily customisable. Please contact us to discuss customising colour and size to your project

OPTIONS

- Standard length is 1800 but is available in a large range of standard sizes and lengths.
- Our customisation is easy and cost effective.

MODELS

Profile Type (PT) - CBF 1Z01-

To specify the you want refer to the instructions below to build your specification code as shown.

ADROIT-**CBF1Z01**-SC (example)

Colour (CC)

SC - Charcoal Grey

HG- Heritage Green

IB - Blue

TC- Terracotta

EcoTuff™ is only available in SC.

ADROIT – CBF1Z01-**TC** (example)

ADROIT.

YOUR PROJECT. YOUR WAY. BE ADROIT.

Subject to terms & conditions.
Please contact Adroit for full terms
& conditions on 1300 ADROIT

HOW TO SPECIFY

ADROIT

Manufacturer

PT - CC

Profile Type

Colour

A-T10170