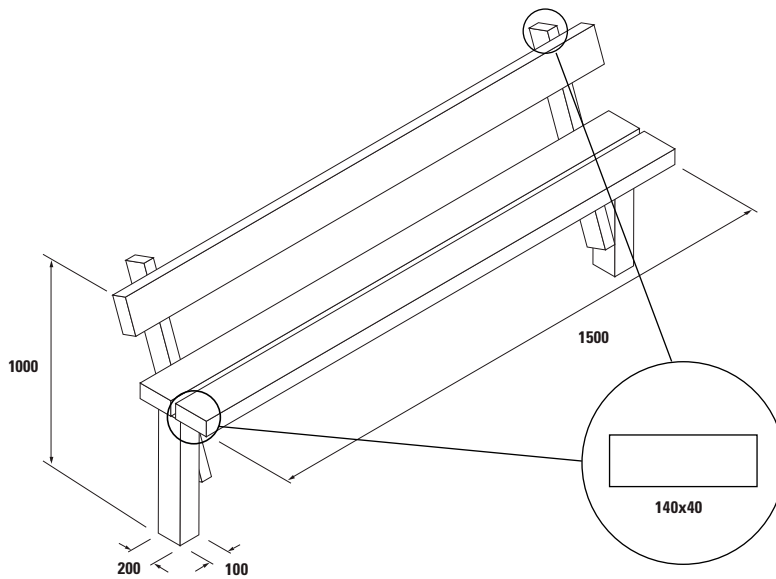


CRAFERS

TECHNICAL SPECIFICATIONS

ADROIT.

YOUR PROJECT. YOUR WAY. BE ADROIT.



PRIMARY APPLICATION

For a bench that will never rust, rot or require maintenance the Crafers is another organic urban design by Adroit.

Made from 100% co-mingled EcoTuff™. The Crafers is great for both the environment and your project. Perfect for ovals, parks and walking trails the organic design of the Crafers means it is safe, strong and an adroit inclusion in your project.

Suitable in just about any public situation that experiences low to medium vandal activity the Crafers robustness comes from the quality build of a simple but tested design. In either full urban grey or specified in any number of colours the Crafers will blend with and compliment any project.

FEATURES

- Easy to install, the Crafers can be installed in under half an hour which means reduced installation costs.
- Crafers can't rust, rot or splinter which means no dangerous jagged edges risking public or staff safety.
- Co-mingled bench and table slat material means timber performance with no warping or significant expansion & contraction.
- UV stabilized ensures a longer lasting look for your project.
- 100% recycled post consumer waste feedstock for table and bench slats means your decision is great for the environment.
- Easily customisable. Please contact us to discuss customising colour and size to your project

OPTIONS

- Standard length is 1800 but is available in a large range of standard sizes and lengths.
- Our customisation is easy and cost effective.

MODELS

Profile Type (PT) - CBF 3Z01

To specify the you want refer to the instructions below to build your specification code as shown.

ADROIT-**CBF3Z01**-SC

Slat Colour (SC) – Specify SC for EcoTuff™ Standard Charcoal (SC). Or specify Heritage Green (HG), Blue (IB) or Terracotta (TC).

ADROIT – CBF1Z01-**TC**