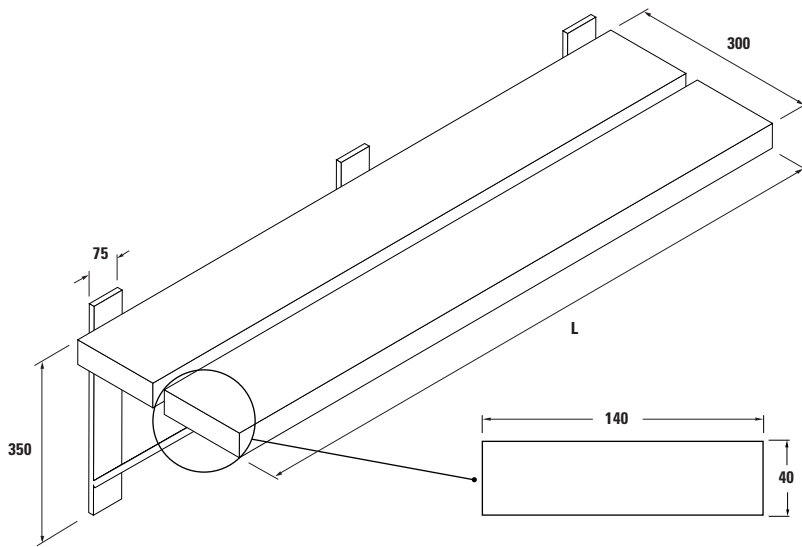


# WALLFLOWER

## TECHNICAL SPECIFICATIONS



### FEATURES

- Co-mingled bench and table slats will never rot rust or have dangerous splinters greatly reducing risk of injury to end users.
- Co-mingled bench and table slat material means timber performance with no warping or significant expansion & contraction.
- High quality automated cutting and welding ensures the strongest possible frame hardened for use in high vandalism areas.
- Hot-Dipped Galv Bench Frame, the toughest of the tough, high quality dipped at 480degC so you don't have to worry about a rusting frame.
- UV stabilized bench and table slats to ensure a longer lasting look.
- 100% recycled post consumer waste feedstock for table and bench slats means your decision is great for the environment.
- Easily customisable. Please contact us to discuss customising colour and size to your project
- Standard is Standard Charcoal (SC) slats and galv dipped frame but slats are available in colours and frames can be powder coated any colour.

### PRIMARY APPLICATION

The Wallflower wall-mount bench by Adroit, seems a simple product at first glance. However the refinement that has gone into perfecting the wall mount bench has happened over many years.

Suitable in just about any public situation the Wallflower's formidable robustness comes from the quality build of a simple but tested design. In either full urban grey or specified in any number of frame and slat colours the Wallflower will blend with and compliment any project. NB: Whilst we have standard lengths you can specify the wall flower at any length without any additional cost per meter.

#### D CHART

Profile Type (PT)	Bench Length (mm)	# of Frames	Slat Dimensions	Weight Unit
CBF1114	1400	2	140x40	18
CBF1118	1800	3	140x40	23.5
CBF1120	2000	3	140x40	25

Profile Type (PT)	# of Benches	Slat Dimensions		
CBF6012	2	200x50		
CBF6014	4	200x50		

### OPTIONS

- Available in a large range of standard sizes and lengths.
- Available in a massive range of colour combinations.
- Our customisation is easy and cost effective.

### MODELS

**Profile Type (PT)** – CBF 1114  
To specify the bench you want refer to the D Chart to build your specification code as shown.

ADROIT-**CBF1114**-SC-FC (example)

**Slat Colour (SC)** - Specify SC for EcoTuff™ Standard Charcoal (SC). Or specify Heritage Green (HG), Blue (IB) or Terracotta (TC).

ADROIT – CBF1114-**TC**-FC (example)

**Frame Colour (CC)** – Nominate Galv Dipped (GD) which is standard or a PMS colour e.g 246 or a word, e.g.Red.  
ADROIT – CBF1114-TC-**GD** (example)